

CLASSIC MOTORCYCLE CLUB
BLUFF, DURBAN, KZN

GEOTECHNICAL / REINFORCED SOIL WALLS

Product: Terramesh® System

Problem

The Classic Motorcycle Club of Natal approached Maccaferri to aid in the formalising of an embankment and to reclaim some land at the top of the terrace to be used for the Club's gatherings.

Solution

A Terramesh® wall between 1 to 1,5m in height, constructed from Mini Terramesh® Units 1,3 x 1 x 0,5, was designed to reclaim the land behind the structure and formalise the terrace. The 1m mesh tails of the Terramesh® units extended into the backfill to serve as reinforcing for the structure.

A geotextile, Terram 1500, was placed on the rear of the gabion facing to prevent the migration of fine materials through the structure.

Benefits

The use of Mini Terramesh® units minimised the quantity of rock required for the project.

The wall has increased the total area above the structure.

By the formation of the terrace, sheet erosion and the accumulation of storm water in front of the structure will be averted after heavy rainfalls.



After construction

Date: Aug 1999

Client name:

CLASSIC MOTORCYCLE CLUB

Main contractor name:

UNIQUE BUILDERS

Consultant:

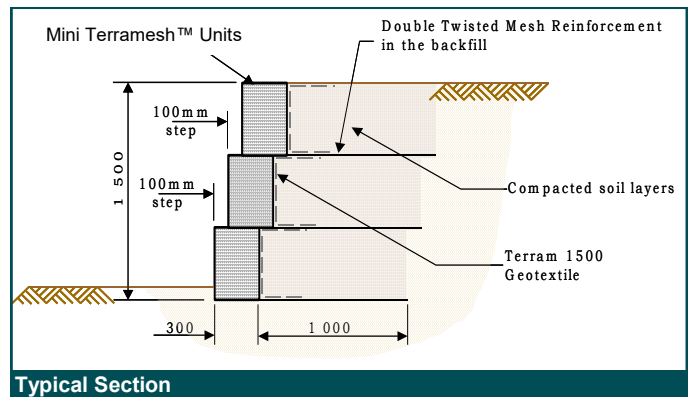
NONE

Product used:

TERRAMESH® SYSTEM

Construction info:

Construction date:	JULY 1999
Completion date:	JULY 1999



Typical Section

<p>Maccaferri SA (Pty) Ltd t/a Maccaferri Africa</p> <p>Head Office: Durban Branches: Cape Town East London Johannesburg Tongaat (Factory)</p>	<p>P O Box 815 New Germany 3620</p> <p>National Tel: 087 742 2710 International Tel: + 27 31 705 0500 Fax No: 087 742 2734</p> <p>www.maccaferri.com/za</p>	<p>Engineering a Better Solution</p> <p> </p>
--	--	---